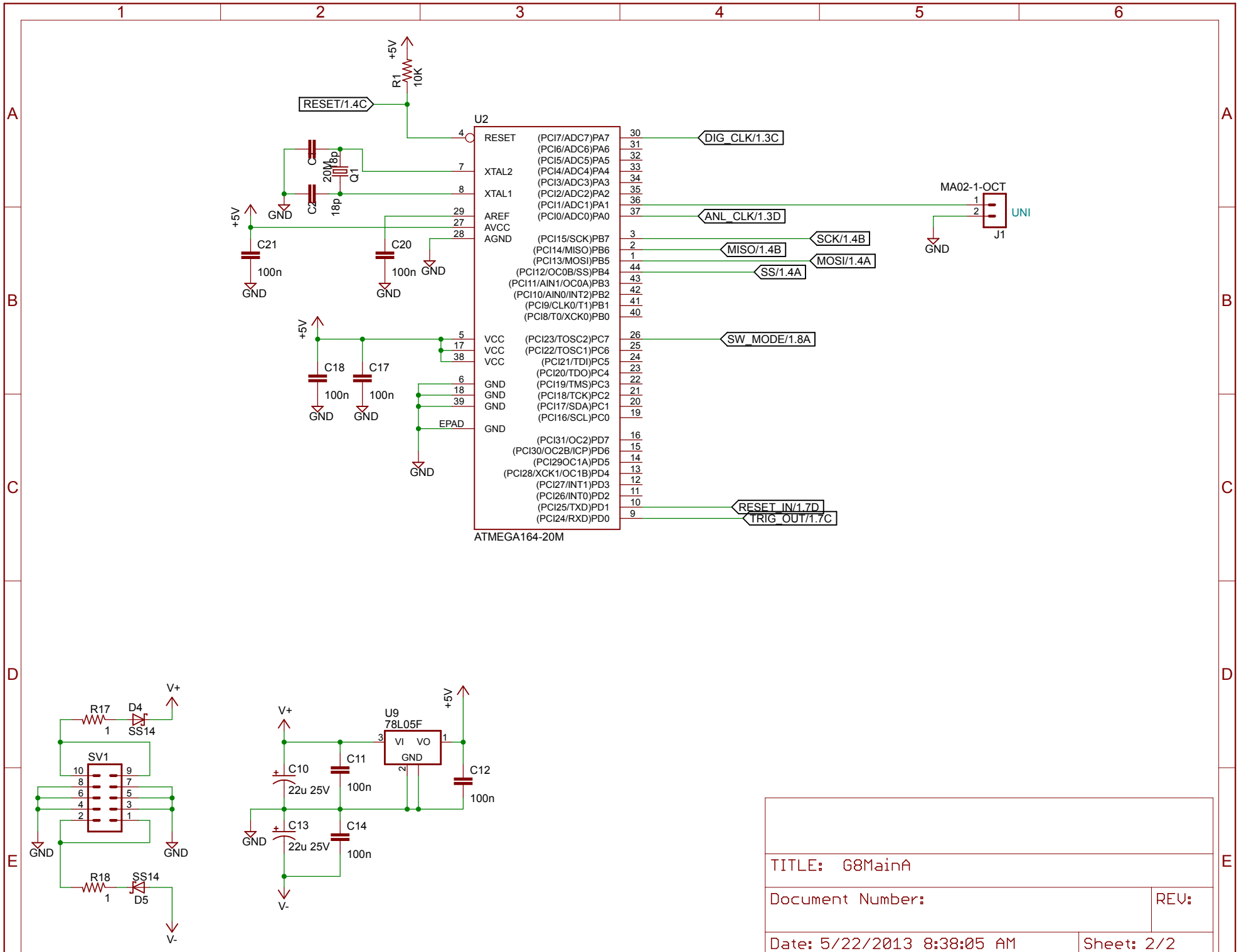


TITLE: G8MainA	
Document Number:	REV:
Date: 5/22/2013 8:38:05 AM	Sheet: 1/2



TITLE: G8MainA	
Document Number:	REV:
Date: 5/22/2013 8:38:05 AM	Sheet: 2/2