

1

2

3

4

5

6

A

B

C

D

E

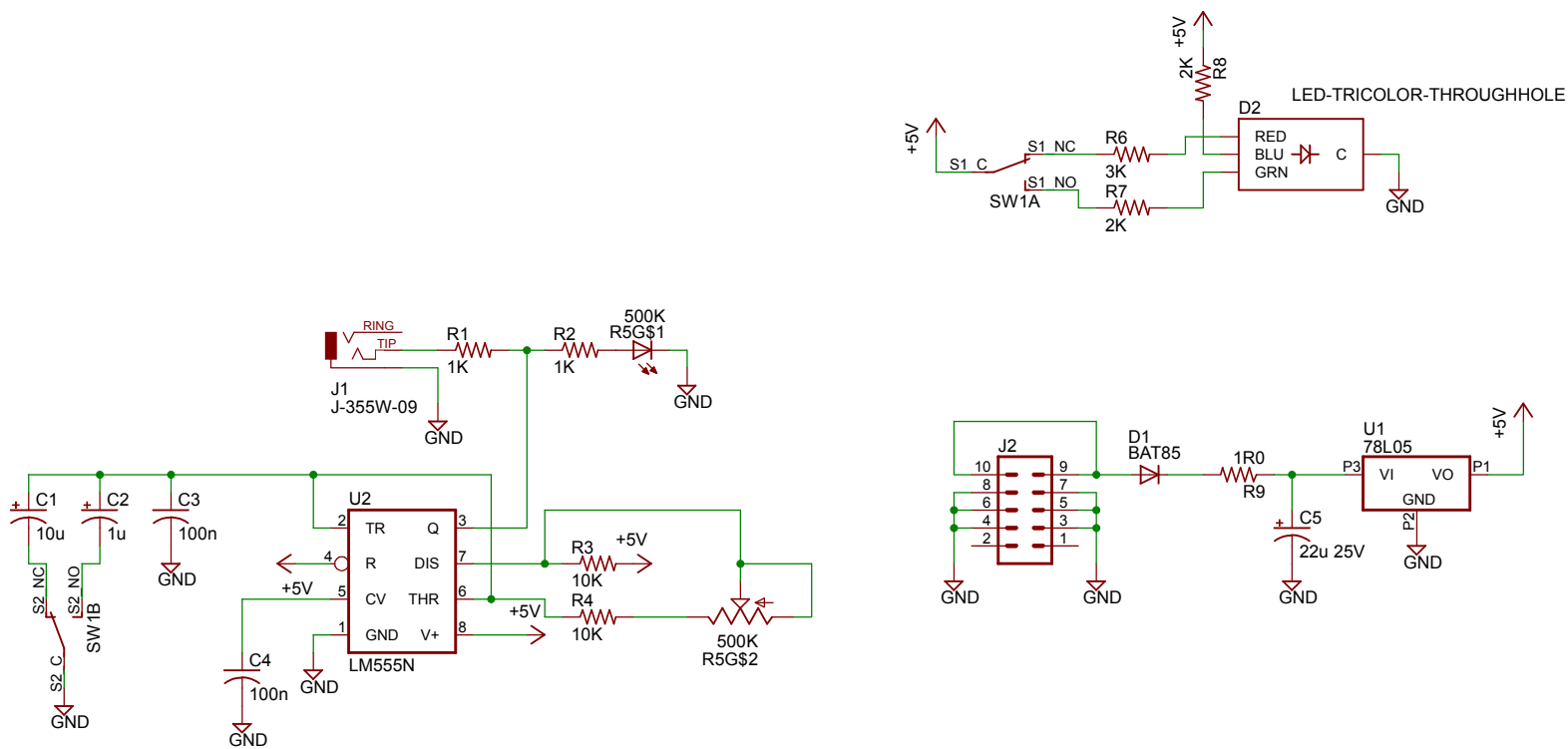
A

B

C

D

E



TITLE: TickMainA	
Document Number:	REV:
Date: 12/29/2014 12:36:35 PM	Sheet: 1/1